

## GADH Heavy Duty Levelling Glide

### Features

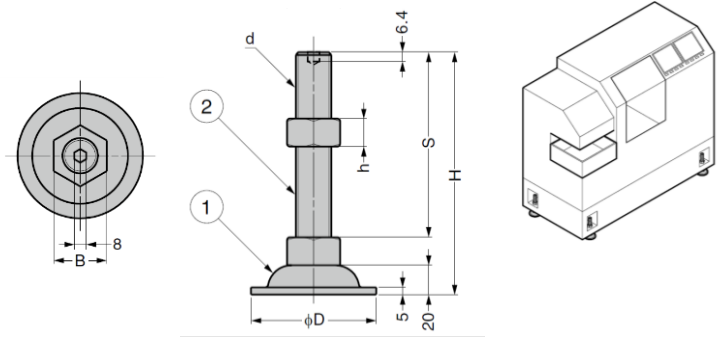
- Three types available: steel **GADH**, stainless steel **GADHS** and **GADHSK** with anti-galling stainless steel bolt
- **GADHSK**: Galling preventive treatment allows smoother vertical adjustment
- Two types of M24 and M30 screw diameter. enables application to large machines and furniture
- Recess for hex key at the screw head allows effective adjustment

### Notes

- To prevent looseness after use, it is recommended to tighten with a double nut

### Galling Preventive Treatment

- Stainless steel is a material with low thermal conductivity and high thermal expansion coefficient. For this reason, the threaded bolt may expand due to the frictional heat during tightening, and the male and female thread may be galled and the bolt may be locked.
- Even when using **GADHS**, galling preventive treatment is recommended. In **GADHSK**, by applying a lubricating paint to the threaded bolt and going through the firing treatment to enhance the slipperiness and adhesiveness, thread galling is hard to occur



No.	Part Name	Material	Finish
①	Body	Stainless Steel (SUS304)	Polished
②	Threaded Bolt		Baking Finish

### GADHSK - Galling Prevent Stainless Steel

Part No.	D	d	H	S	h	B	Load Capacity (per piece)	
GADHS-85-24-150K	83	M24	189	150	19	36	29400	3000
GADHS-85-24-200K			239	200			34300	3500
GADHS-85-30-150K		M30	194	150	24	46	39200	4000
GADHS-85-30-200K			244	200			44100	4500

No.	Part Name	Material	Finish
①	Body	Stainless Steel (SUS304)	Polished
②	Threaded Bolt		

### GADHS - Stainless Steel

Part No.	D	d	H	S	h	B	Load Capacity (per piece)	
GADHS-85-24-150	83	M24	189	150	19	36	29400	3000
GADHS-85-24-200			239	200			34300	3500
GADHS-85-30-150		M30	194	150	24	46	39200	4000
GADHS-85-30-200			244	200			44100	4500

No.	Part Name	Material	Finish
①	Body	Steel (SPHC)	Clear Zinc Chromate (Trivalent)
②	Threaded Bolt		

### GADH - Steel

Part No.	D	d	H	S	h	B	Load Capacity (per piece)	
GADH-85-24-150	83	M24	189	150	19	36	29400	3000
GADH-85-24-200			239	200			34300	3500
GADH-85-30-150		M30	194	150	24	46	39200	4000
GADH-85-30-200			244	200			44100	4500